

## Product Summary

The BA-1000 Ion Distribution System is changing the game in Air Purification Technology. These systems offer a 24/7, proactive approach. The BA-1000 ionizer is UL-2998 certified for zero ozone emissions and UL-867 certified. These units are designed for room installation to proactively attack airborne pathogens directly at the breathing zones. BSE's Ion Distribution System works independently or in conjunction with the HVAC system. BSE units are manufactured in to feature a "Plug and Play" industrial grade construction. The advanced aeroacoustic discharge ports coupled with our proprietary ionization technology, optimize the ion plume discharge, and elongates the ion's life span to correspond geometrically to the room's breathing zones. The result is a continuous discharge of millions of ions saturating the room breathing zones and mitigating the airborne pathogens.

## Total Ion Output

Fan Output	2 ft	5 ft	10 ft	15 ft
100%	1.2 Million	285,000	50,000	20,000



## Benefits



**Pathogens Killed (Bacteria, Viruses, Mold), Helps to Control Allergens/ Asthma\*, Prevents Sick Building Syndrome**



**Particle Reduction and Smoke Control**



**Odors Neutralized by destroying VOCs**



**Energy Savings of 30% by Reducing Outdoor Air Intake by up to 75%.**

## Standard Features

The unit covers up to 225 square feet.

Very low maintenance is required!

## Commercial Applications

- ✓ Elevators
- ✓ Healthcare
- ✓ Gyms
- ✓ Public Restrooms
- ✓ Hospitality
- ✓ Restaurants
- ✓ Mail Rooms
- ✓ Public Transportation
- ✓ Senior Living Facilities
- ✓ Office Building Lobby
- ✓ Waiting Areas

## Important Information

Competitor's ion output ratings generated directly at the needlepoint brushes can be deceiving as is shown by our testing and published numbers. Ionization units not installed directly in the breathing zones are not conducive for maximizing ion output at all the breathing zones. See the Total Ion Output table for ion output directly to the breathing zones. Please evaluate the HVAC air distribution system (duct, insulation, vav terminals, dampers turning vanes) and account for the coanda effect of air distribution diffusers. These variables could result in little to no ions being discharged to the breathing zones. BSE's Ion Distribution products are rated and tested for ion output from 2 feet to 25 feet away from the needlepoint brushes at the breathing zones for real world performance. Please make sure when specifying Bipolar Ionization that the ion's per cc/sec are commensurate to the distance required at the breathing zones to mitigate airborne viruses.

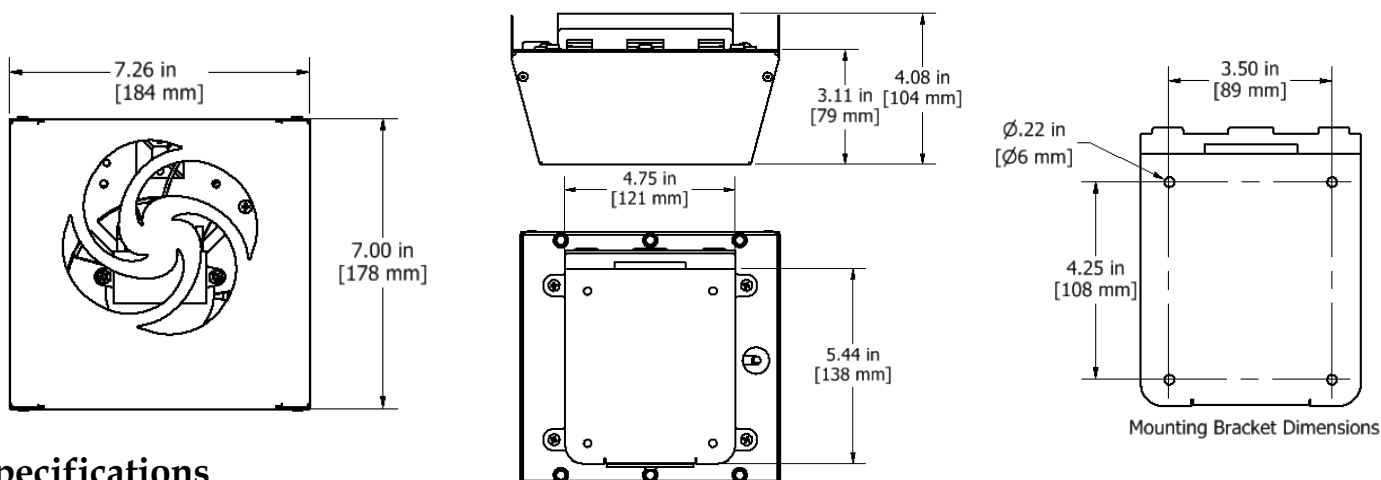


**Technology Education Concepts**  
[www.TECedu.com](http://www.TECedu.com) | 800-338-2238  
[info@TECedu.com](mailto:info@TECedu.com)

# BA-350 Ion Distribution System

Ionization Product Specifications

Revision: D 2/9/2021



## Specifications

Model	BA-350
Unit Dimensions	Depth 4.1(104)/Width 7.3(184)/Height 7.0(178) inches (mm)
Material Casing	Steel
Plug Length	12 Feet
Fan	Tube Axial w/ Shaded-Pole Construction
Airflow Capacity	115 CFM
Static Pressure	0.39 in H <sub>2</sub> O (97.1 Pa)
Max Speed	3,150 RPM
Sound Output*	47.8 dB
Fan Bearings	Ball
Weight	4.6 lbs.
Operating Temperature	14°F – 158°F (-10°C - 70°C)
Electrical: Voltage Input	85V - 125V AC
Power Consumption	22-Watt
Frequency	50/60 Hz
Current	.3 A
Certifications	UL 2998, UL 867 ETL Listed, Fan Blade UL 94V-0

\* Sound Output was measured at 5 feet from the unit.



**Technology Education Concepts**  
[www.TECedu.com](http://www.TECedu.com) | 800-338-2238  
[info@TECedu.com](mailto:info@TECedu.com)