

The Individual Student Desk



Our 5/8" solid phenolic core student desk offers incredible durability and needs no edge banding or t-molding. We offer standard colors for quick ship, but have the availability to order many other colors for large volume.

MULTIPLE CONFIGURATIONS!



Beryl

Lucent Pearl Grey

Clear Mesh

Beryl

Standard Colors:



Many other colors available for project based work or larger volume orders. Ask for more details!

Standard Features:

- Anti-Bacterial 
- Anti-Microbial 
- Chemical Resistant
- Fire Resistant
- Stain Resistant
- Wet/Heat Tested
- Dry Heat Tested
- Low Emission
- Height Adjustable Legs

Height Adjustable Legs-21"-30"
Leg diameter: 1 3/8" & 16 gauge steel

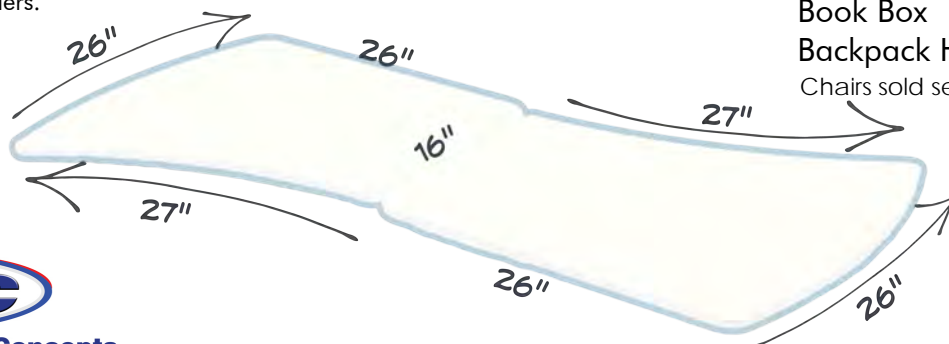


Sheer



Options:

- Casters (adds 2")
- Book Box
- Backpack Hook
- Chairs sold separately, available soon!



Technology Education Concepts
www.TECedu.com | 800-338-2238