



ENGINEERING CHANGE ORDER

PART NO. **1234-5678**

CHANGE NO. **P675**

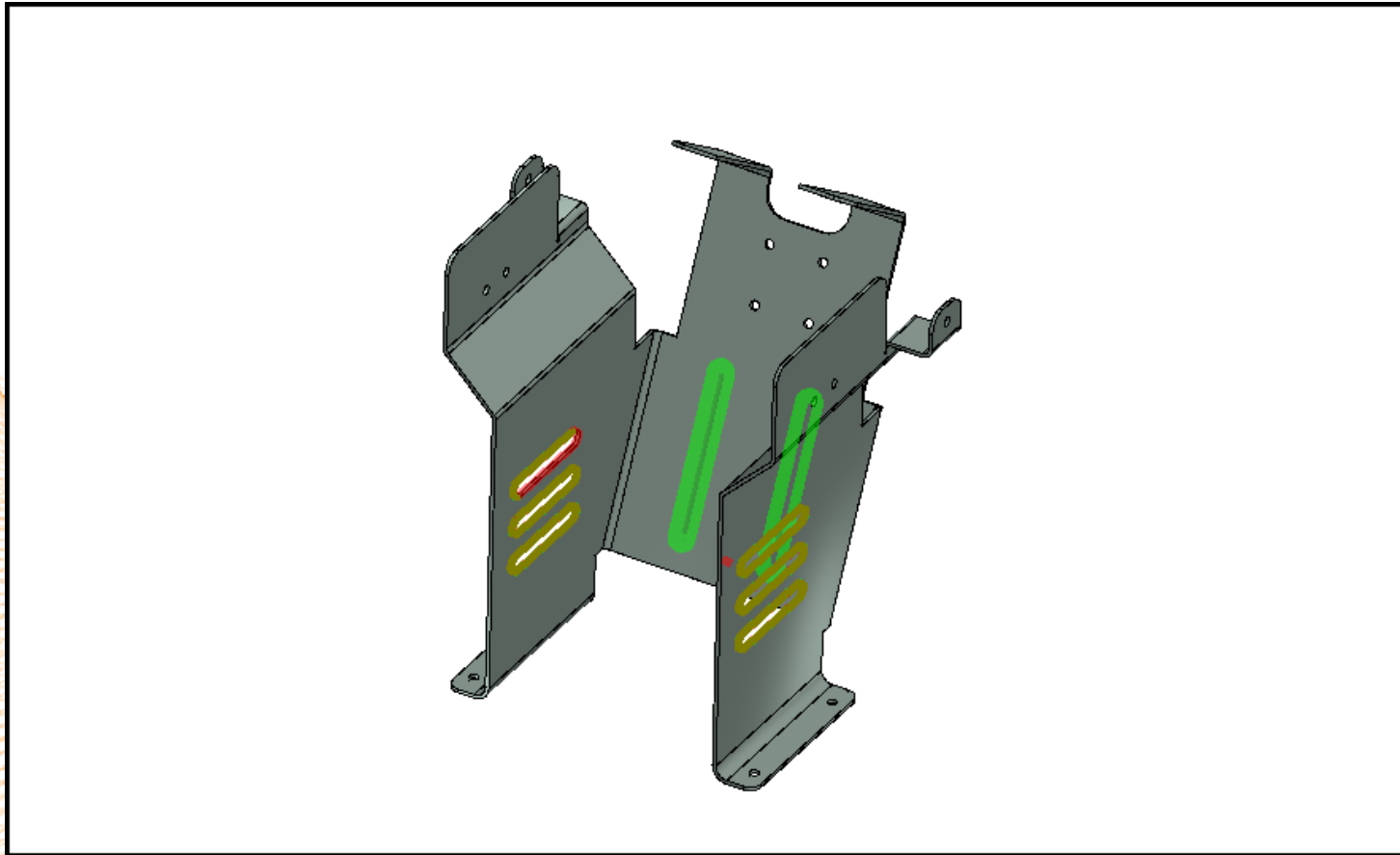
REVISION **D**

Tue Aug 11 2020

4:21 PM

WAS File: Console-Tower-RevC.stp

IS File: Console-Tower-RevD.stp





PART NO.
1234-5678

CHANGE NO.
P675

REV
D

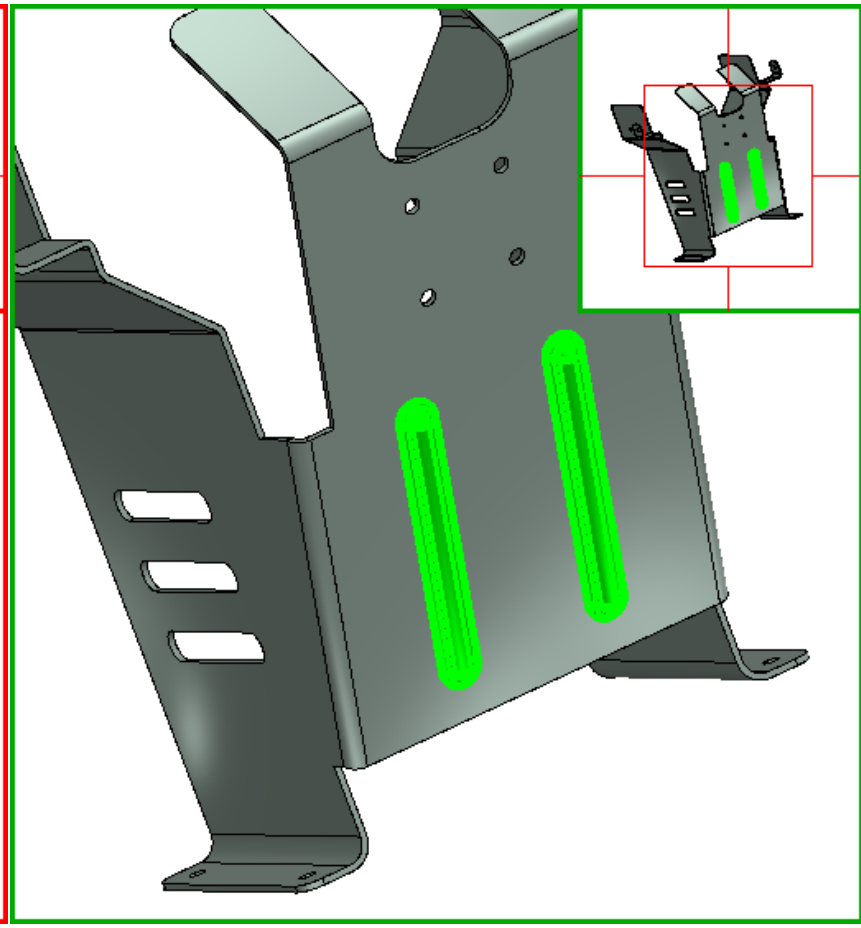
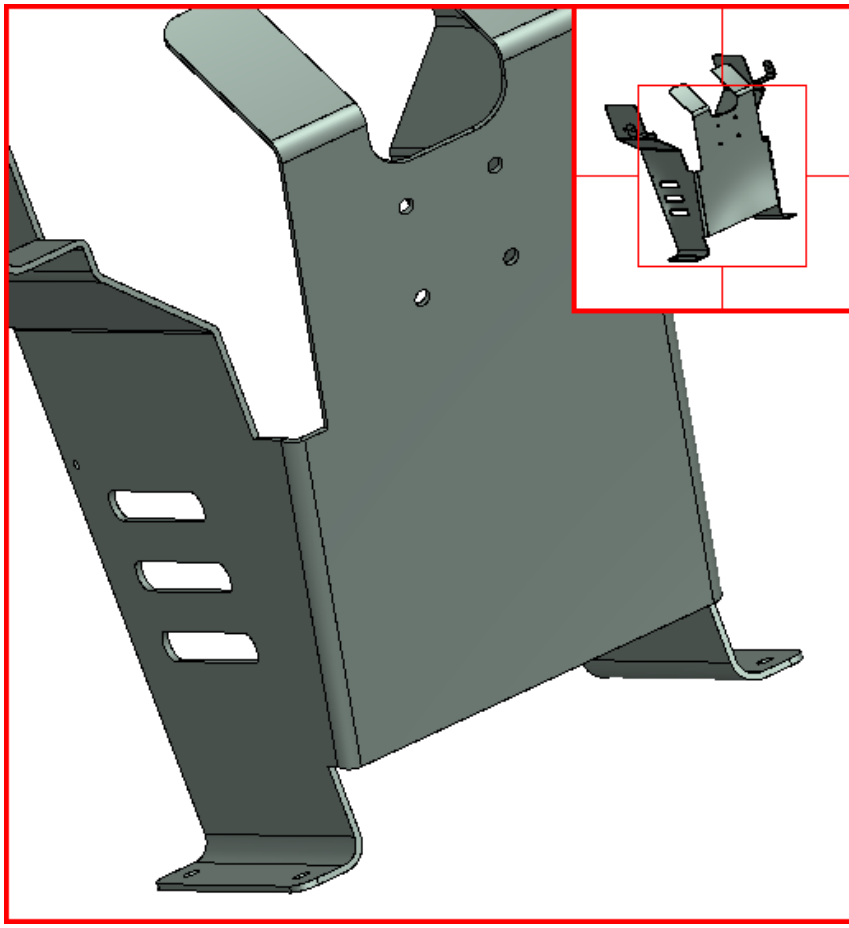
SHEET
2 OF 4

REASON AND DESCRIPTION FOR CHANGE:

Bead ribs added for strength

WAS: Console-Tower-RevC.stp

IS: Console-Tower-RevD.stp





PART NO.
1234-5678

CHANGE NO.
P675

REV
D

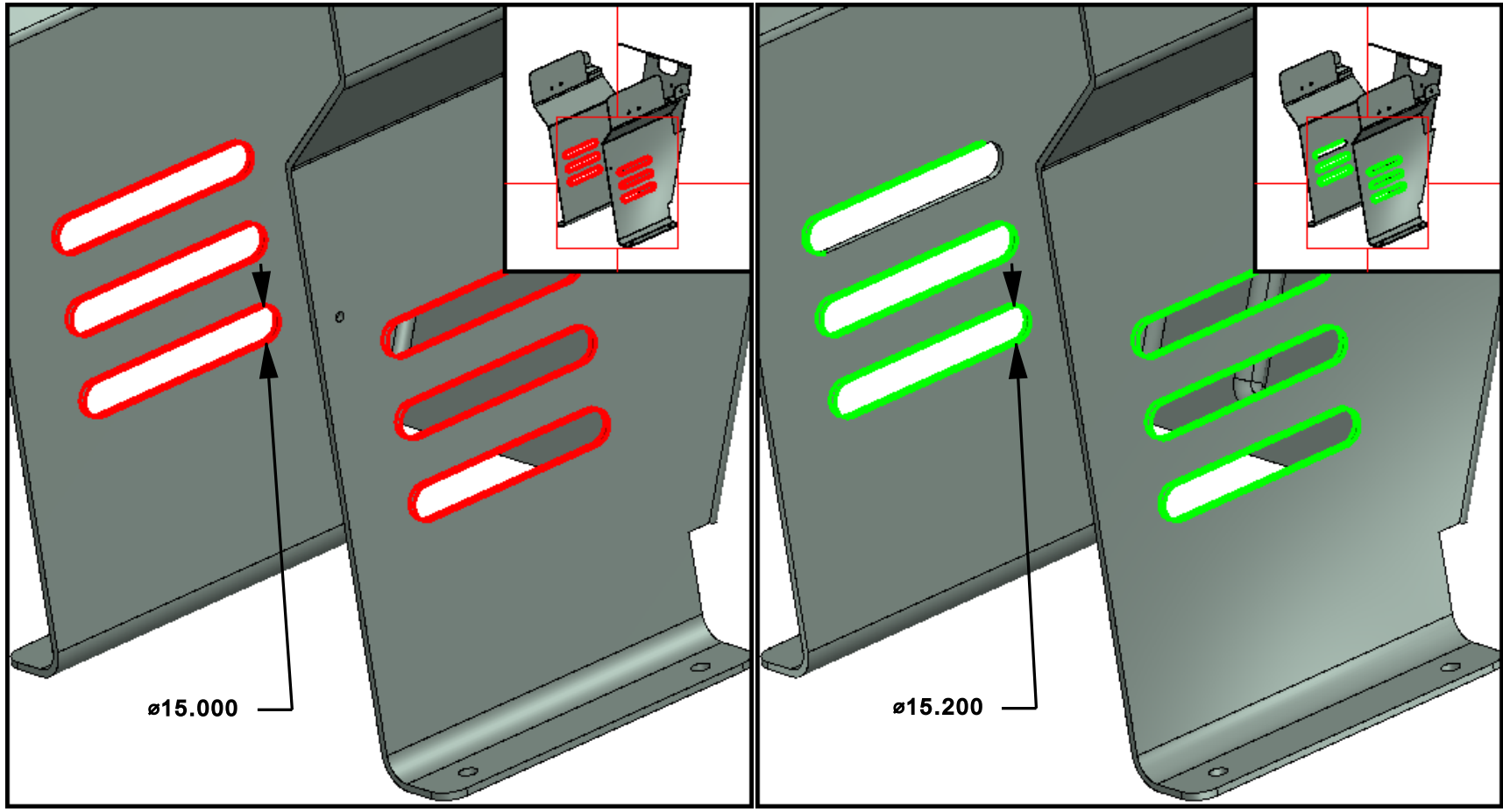
SHEET
3 OF 4

REASON AND DESCRIPTION FOR CHANGE:

Slots enlarged for additional clearance

WAS: Console-Tower-RevC.stp

IS: Console-Tower-RevD.stp





PART NO.
1234-5678

CHANGE NO.
P675

REV
D

SHEET
4 OF 4

REASON AND DESCRIPTION FOR CHANGE:

Unused hole removed

WAS: Console-Tower-RevC.stp

IS: Console-Tower-RevD.stp

